



NEW JERSEY AIR PRODUCTS INC.
MANUFACTURER REPRESENTATIVE

1220 Watson Center Road • Carson, CA 90745-4206
 (310) 835-7500 • FAX (310) 835-0448
 airhelp@anemostat.com • www.anemostat.com

Model VD-C
VOLUME CONTROL DAMPER
 BUTTERFLY TYPE
 FOR ROUND DUCT
 WITH 24" CABLE

ACCESSORIES

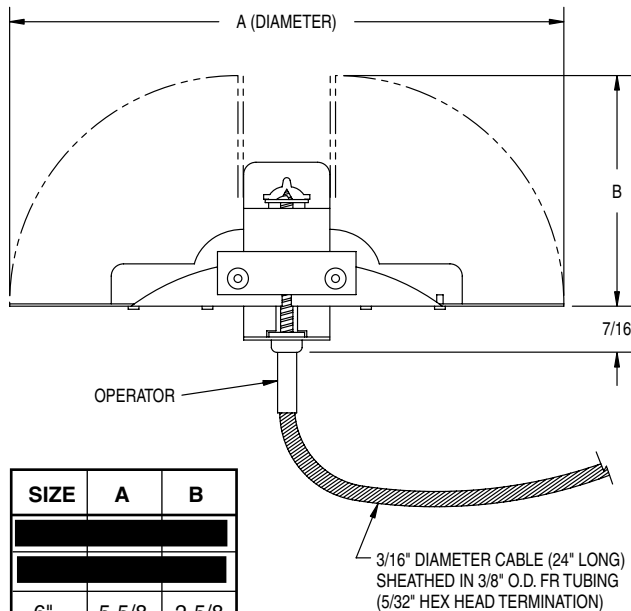
PRODUCT FEATURES

- Economical, butterfly control damper w/ 24" remote cable for use in round neck diffusers or linear diffuser plenums. Flexible control cable is housed in 3/8" OD tube.
- Manual adjustment of airflow for balancing air distribution systems (5/32" hex key is not included – ordered separately)
- Use in low pressure duct systems
- Field installed accessory (comes with U clips for neck mounting and cable clamps – see detail)
- Corrosion-resistant finish

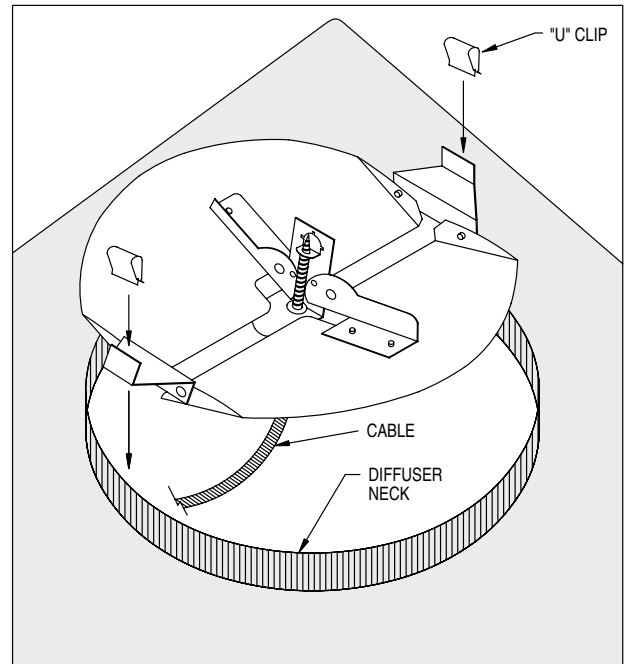
CONSTRUCTION DETAILS

Material:

- Steel
- Aluminum Blades / Steel Hardware
- 304 Stainless Steel Blades / Steel Hardware
- 316 Stainless Steel Blades / Steel Hardware



SIZE	A	B
6"	5-5/8	2-5/8
8"	7-5/8	3-5/8
10"	9-5/8	4-5/8
12"	11-5/8	5-5/8



TYPICAL INSTALLATION DETAIL

NOTE: Damper designed for balancing only, not a full shut-off device.

All dimensions are in inches.

JOB NAME:

SUBMITTED BY: